



FIVES MACHINING - 009#275950 - 009#275951
APPLICATION OF MOTORIZED ROTATING BRUSH FOR CLEANING CARPET

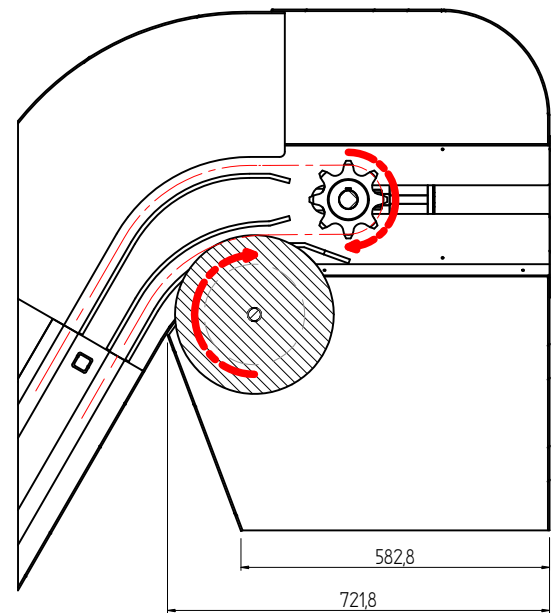
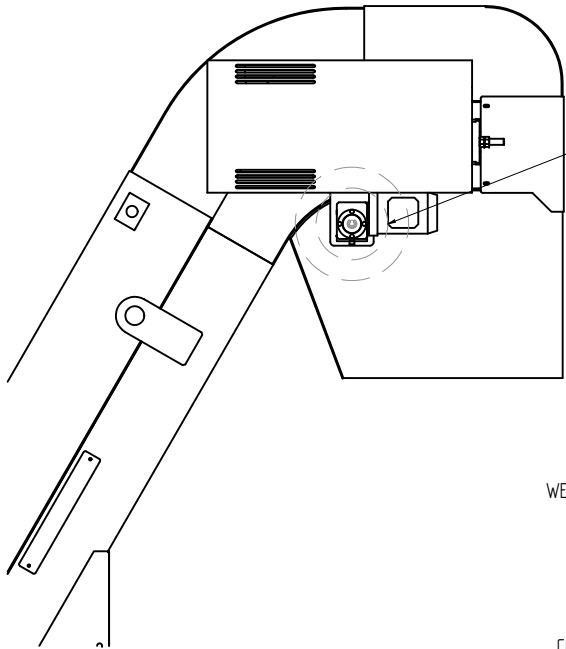
GEARBOX VARVEL
FRT28 1/70 B14 TLI + MOTOR 0.06KW 4P 400V 50HZ

01 - NEW PART
BRUSH SUPPORTO PLATES
WELDING TO THE SIDE OF THE STRUCTURE

02 - NEW PART
COMPLETE MOTORIZED METALLIC BRUSH
Φ300MM - MOTOR POWER 0.06KW

03 - CHANGE THE STRUCTURE
IS NECESSARY OPEN A NEW WINDOW
IN THE BACKGROUND OF THE STRUCTURE

03 - NEW PART
DISCHARGE PROTECTION



SEZIONE A-A

